

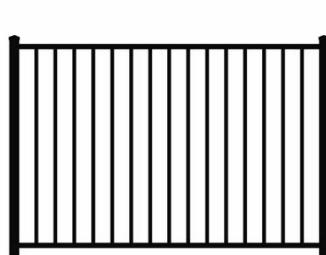
Allure Aluminum Fencing

Description:

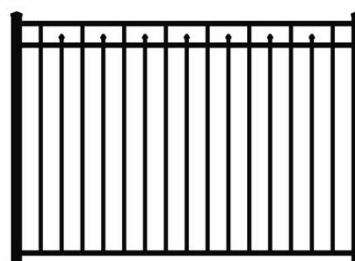
Allure aluminum fencing is a modular extruded aluminum fence finished with a high quality polyester finish. Designed for years of reliable, maintenance free service Allure aluminum fencing functions as a perimeter boundary fence around yards. In addition, it is designed to meet or exceed the requirements for swimming pool perimeter fencing as specified by the International Building code*.

* Always consult local building department for pool codes prior to installing fence.

Parts and Accessories:

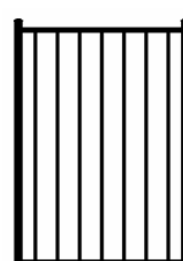


Metropolitan

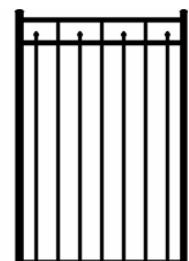


Provincial

Fence Sections



Metropolitan



Provincial

Gates



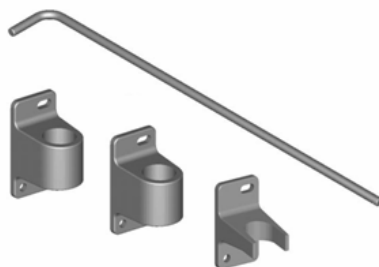
Magna latch



Gravity Latch



Self-Closing Hinge



Drop Rod



Touch-Up Paint



Ball cap

Sizes, Dimensions and Weight:

Metropolitan

Part	Part Dimensions	Box Dimensions	Box Quantity	Weight
Metropolitan Fence	48" high x 72" long	72" X 48 ½" X 3 ½"	1	10.5 lb
		72" x 48 ½" x 6 ½"	4	42.0 lb
Metropolitan Gate	36" x 48"	37" x 49" x 2"	1	13.50 lb
Metropolitan Corner Post	2" x 2" x 70" long	74" x 2 ½" x 2 ½"	1	3.75 lb
Metropolitan End/Gate Post	2" x 2" x 70" long	74" x 2 ½" x 2 ½"	1	3.75 lb
Metropolitan Line Post	2" x 2" x 70" long	74" x 2 ½" x 2 ½"	1	3.75
		74" x 5" x 5"	4	14.0 lb

Provincial:

Provincial Fence	54" high x 72" long	72" X 54 ¾" X 3 ½"	1	13.0 lb
		72" x 54 6½" x 6½"	4	52.0 lb
Provincial Gate	36" x 54"	37 x 55" x 2"	1	14.50 lb
Provincial Corner Post	2" x 2" x 82" long	85½ "x 2 ½" x 2 ½"	1	4.0 lb
Provincial End/Gate Post	2" x 2" x 82" long	85 ½ " x 2 ½" x 2 ½"	1	4.0 lb
Provincial Line Post	2" x 2" x 82" long	85 ½" x 2 ½" x 2 ½"	1	4.0 lb
		85 ½" x 5" x 5"	4	15.0 lb

Accessories:

Magna Latch	17 5/8" x 1 3/8" x 3"	18" x 2" x 3"	1	2.0 lb
Drop Rod	4" x 32" x 5/8" dia.	4" x 32" x 1"	1	2.0 lb
Ball Cap	3 ½" x 2 ¼" x 2 ¼"	3 ½" x 2 ¼" x 2 ¼"	1	0.5 lb
Touch-Up Paint	2 ¾" dia. x 6 ¼"	2 ¾" dia. x 6 ¼"	1	9.0 oz

Materials:

Fencing: High strength 6000 series aluminum joined with stainless steel fasteners. Electrostatically applied polyester acrylic black finish.

Posts: High strength 6000 series aluminum alloy, electrostatically applied polyester black finish.

Gates: Welded high strength 6000 series aluminum alloy frame, 6000 series aluminum pickets fastened with stainless steel fasteners and an electrostatically applied polyester black finish.

Magna Latch: Patented magnetic self-latching, manufactured with quality polymer and stainless steel.

Drop Rod: High strength 6000 series aluminum alloy rod with die cast aluminum guides coated with an electrostatically applied black finish. All fasteners are stainless steel.

Ball Caps: Die cast aluminum coated with an electrostatically applied black finish.

Touch Up Paint: Acrylic enamel in a pressurized applicator.

Country of Origin:

Parts manufactured in Chinese and American factories.

Why Buy:

The naturally corrosion resistant properties of aluminum provide for a low maintenance alternative to wrought iron fencing. This fencing is coated with an electrostatically applied semi-gloss black finish for long lasting luster. In addition, it is designed to meet or exceed the requirements for pool perimeter fencing as specified by the International Building code*. The durability of Allure aluminum fencing makes it much more cost effective than other fencing materials.

* Always consult local building department for pool codes prior to installing fence.

Cleaning and Caring:

Allure aluminum fencing requires little to no maintenance. The following maintenance may be performed if needed. Otherwise it is suggested that you contact the manufacturing company for further instructions.

1. You may want to clean your fence periodically with water or water and a gentle cleansing solution such as a mild car wash to restore its original luster.
2. It is suggested that if you wash your fence that you apply several drops of lubricating machine oil to the top of the hinge barrel after hinges have completely dried.

Buyer's Remorse:

Most buyer's remorse can be eliminated if the following issues are addressed prior to purchase.

- **Installation time:** Installation can require 1-2 days depending on the size of the property.
- **Inspection permits:** Check with local building code officials for local requirements and permits before purchasing fence.
- **Accurate Parts List:** Make an accurate site plan with dimensions to determine the number of sections, posts and gates that will be required.
- **Proper Tools:** Make sure to have the proper tools on the day of the installation: string line, post hole diggers, battery operated screw gun, concrete mix and a concrete mixing pan.

Frequently Asked Questions:

1. **Question:** Can I use this to fence in my pool?
Answer: Yes, Allure fencing is designed to meet International Building Code regulations, however, some townships regulations might differ slightly from the Building Code so it is always wise to check with local authorities before purchasing your fence.
2. **Question:** Can I use this as railing?
Answer: No, railing has different specifications than fencing.
3. **Question:** Does this fencing pass the national wind load code?
Answer: Yes, Allure fencing is designed to pass the most stringent guidelines of the wind load code which is to withstand 150 mile per hour winds.
4. **Question:** Can I clean my fence?
Answer: Yes, Allure fencing is coated with a durable finish and can be washed with a gentle car washing detergent. Avoid using harsh detergents and cleansers that might affect the sheen of the finish.
5. **Question:** My gate will not close with the self closing hinges what should I do?
Answer: Many people forget to adjust the mechanism. Use a straight blade screwdriver to depress the cam at the top of the hinges and turn in the direction opposite of the closing direction as needed. Make sure to set both hinges with a similar amount of tension.
6. **Question:** What gate hardware should I use on my pool gate?
Answer: We recommend, and many local authorities require, a low friction latch such as the magna latch.

7. Question: Can I install the fence myself?

Answer: Yes, the fence installation is not complicated but most townships require a building permit and inspection. Please consult with your local building officials before purchasing your fence.

8. Question: How long does it take to install an aluminum fence?

Answer: It is recommended that you leave yourself a day or two to complete the project depending on the number of panels to be installed.

9. Question: Will this fence rust?

Answer: No, aluminum does not rust with exposure to the weather which makes it the natural choice for your backyard environment. In addition, the brilliant black finish is designed to maintain its durability in an outdoor environment.

Warranty Information:

ALLURE ALUMINUM FENCE LIMITED LIFETIME WARRANTY

Allure Aluminum Fence ("Allure") warrants to the original purchaser of the Allure Aluminum Fence (the "Fence") that the Fence will be free from defects in material and workmanship for as long as the original purchaser owns the Fence. Allure also warrants to the original purchaser that the Fence's electrostatically applied paint finish will not crack, chip or peel for as long as the original purchaser owns the Fence. This warranty does not extend to damage caused by use other than the normal use for which the Fence is intended, negligence, alteration, accident, improper installation, abuse, misuse, vandalism, or acts of God. All claims for a breach of this warranty shall be submitted to Allure in writing specifically describing the nature of the breach, together with a photograph of the defective portion of the Fence and a copy of the original retail bill of sale. Allure reserves the right to inspect the defective portion of the Fence at Allure's factory to determine if the claim is valid. If the claim is valid, Allure shall, at its discretion, either repair or replace the defective portion of the Fence. However, all removal, shipping and reinstallation costs are the sole responsibility of the purchaser. The above sets forth Allure's complete warranty and the exclusive remedies against Allure with respect to the Fence. NO ADDITIONAL WARRANTIES ARE GIVEN, EXPRESS, STATUTORY OR IMPLIED, ANY IMPLIED WARRANTY OR MERCHANTABILITY OR FITNESS FOR A PARTICULAR PURPOSE IS HEREBY EXPRESSLY DISCLAIMED. Allure shall not in any event be responsible for consequential, personal injury or incidental damages. No person or entity is authorized to change, modify or supplement this warranty, and any such attempt and any other written or implied agreement shall not be valid as against Allure.

Damaged Material/Returns:

All returns are to be handled through the Home Depot return policy. Materials are to be handled by returning to the vendor after securing the proper returned material authorization.

Returns:

Authorized returns should be shipped to:

Delair Group
8600 River Road
Delair, NJ 08110

Hazardous Materials Qualification:

None

Installation Instructions:

**Call before you dig:
1 800 272 1000**

Note: Local municipalities may require a setback from property line to fence line, otherwise, it is recommended to be 2" inside the property line. It is important to find out all the requirements before installing your fence.

1. Layout and Planning

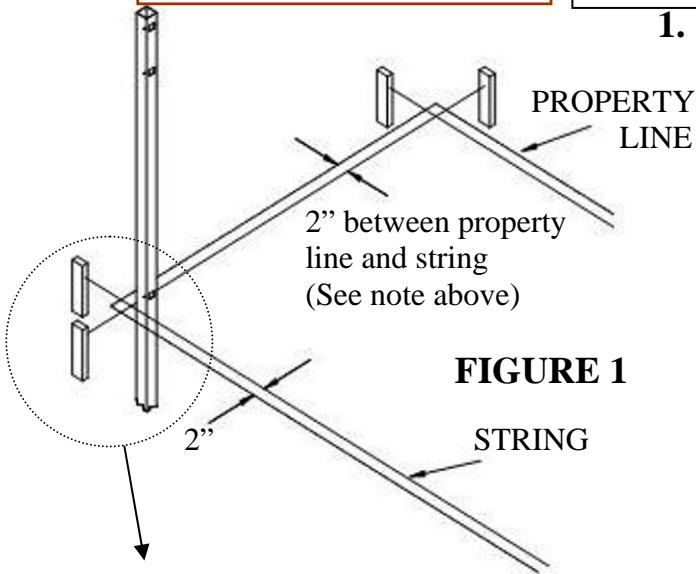


FIGURE 1

- 1.1. First stake out the area and run strings around as shown in Figure 1. Gates need to be located on level ground.
- 1.2. Proceed to dig post holes approximately 3" to 4" wider than the gate on centers. See Figure 2 (on next page) for post hole depth.
- 1.3. Be sure to separate the gate posts from other fence posts. Gate posts have a thicker wall than other fence posts. To prevent your fence from running short of the next gate post **DO NOT** install more than one gate for each line of fence to be installed. Additional gates will be installed when the fence reaches the desired gate location.

CAUTION: In areas where ground frost occurs extend the concrete footing below the frost line.

NOTE: Local municipalities may require different hole depths than those shown below. You must verify that these depths meet all local building codes.

2. Post Installation

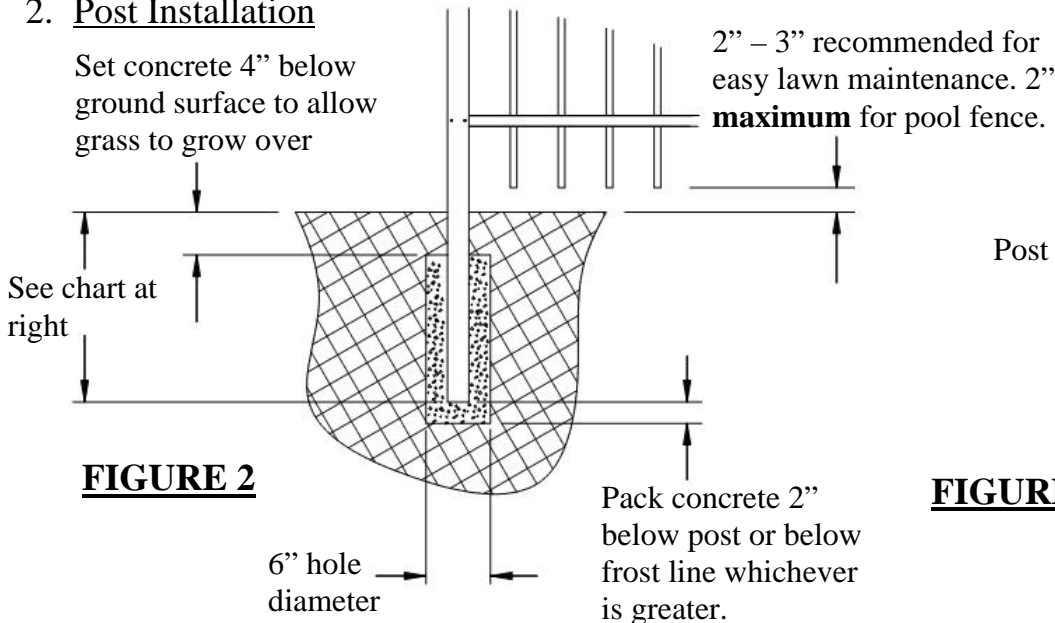


FIGURE 2

POST DEPTH	
HEIGHT	DEPTH
4 1/2' fence	≅ 18"

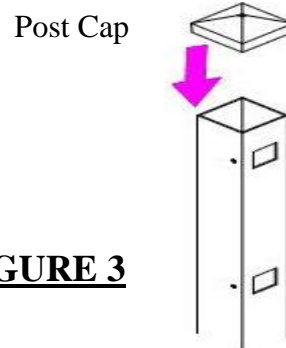


FIGURE 3

- 2.1. Use a rubber mallet to drive the post caps onto the posts. Be careful not to damage the post or caps. See Figure 3.
- 2.2. For a single gate installation set the gate opening 1" wider than the actual gate. (example: a 36" wide gate actually measures 35" wide and will require the actual gate opening to be 36" wide.) See Figure 4.
- 2.3. For a double drive gate installation set the gate opening 2" wider than the actual width of the two gates. (Example: Two 36" wide gates will actually measure 70" wide overall and will require the opening to be 72" wide.) See Figure 5.
- 2.4. Fill the post hole with a stiff concrete mix being sure that the concrete extends below the bottom of the post.
- 2.5. Be sure the posts are plumb and the fence slots are facing the correct direction while the concrete is setting. Brace the posts as necessary while the concrete is setting.

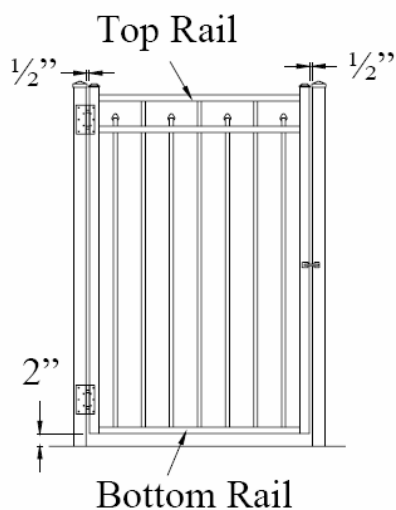


FIGURE 4

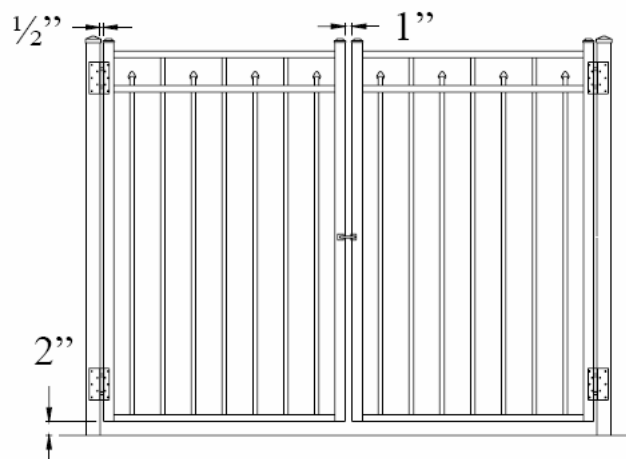


FIGURE 5

3. Gate Installation

- 3.1. After the concrete for the post has set the gate may be hung. Place the gate on blocks at the correct elevation (See figure 2 above).
- 3.2. Locate the hinges as far apart as possible on the gate and clamp the hinge post leaf to the post. Verify that the hinge post leaf is completely flush and plumb with the mounting surface, to avoid binding. Note the direction the gate will open. See Figure 6.
- 3.3. Attach the hinges to the post by drilling 7/64" pilot holes and fastening with screws provided.
- 3.4. Center the gate into the opening and attach to the hinges in the same manner as the posts. Double drive gates must have the diagonals running as shown in Figure 5.
- 3.5. If the hinge is to be mounted on a flat surface you may need to shim out the hinge post leaves so that the hinge does not rub or bind against the mounting surface. See Figure 7.
- 3.6. The screws provided with the hinge are intended for securing the hinge to Delgard posts & gates. If the hinge is to be mounted to a masonry column, wood, etc., ask your local building supply dealer to recommend the appropriate fasteners for your mounting application.
- 3.7. Test gates for a smooth free swinging operation, then proceed to install the latch hardware as needed.

Note: Like all mechanical devices, with age and wear, these hinges will require periodic lubrication, readjustment and eventual replacement. Just as you manually lock your home for security, you must also manually verify the gate is secured each time, as the self-closing motion could be hampered by wind, an obstruction, etc. Remember, where children's safety is involved, double check all barriers to prevent accidents.

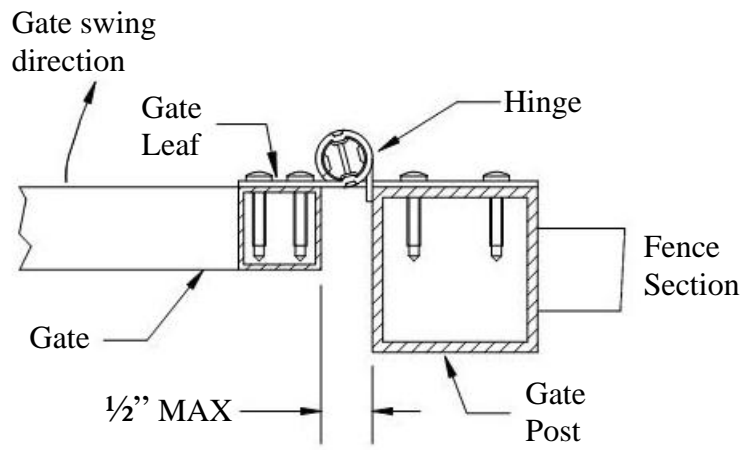


FIGURE 6

4.3. Lubricate the hinges using a graphite based lubricant. Apply lubricant to the top of each hinge and remove excess lubricant from painted surfaces.

5. Drop Rods

5.1. Mount a drop rod guide two (2) inches from the bottom of the gate by drilling two (2) 7/64" holes and fastening the guide with two (2) # 6 x 1/2" self-tapping screws. Fasten the drop rod catch 20 inches above the bottom of the gate in the same fashion as the guide. Before fastening the catch, use the drop rod to align the guide and catch. See Figure 9.

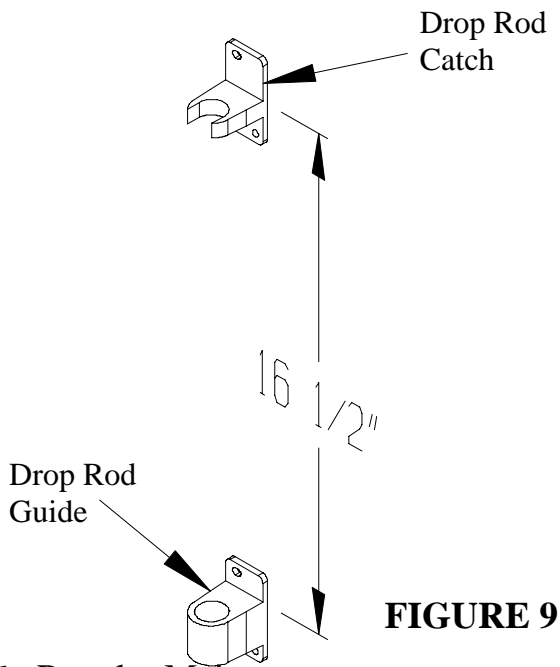


FIGURE 9

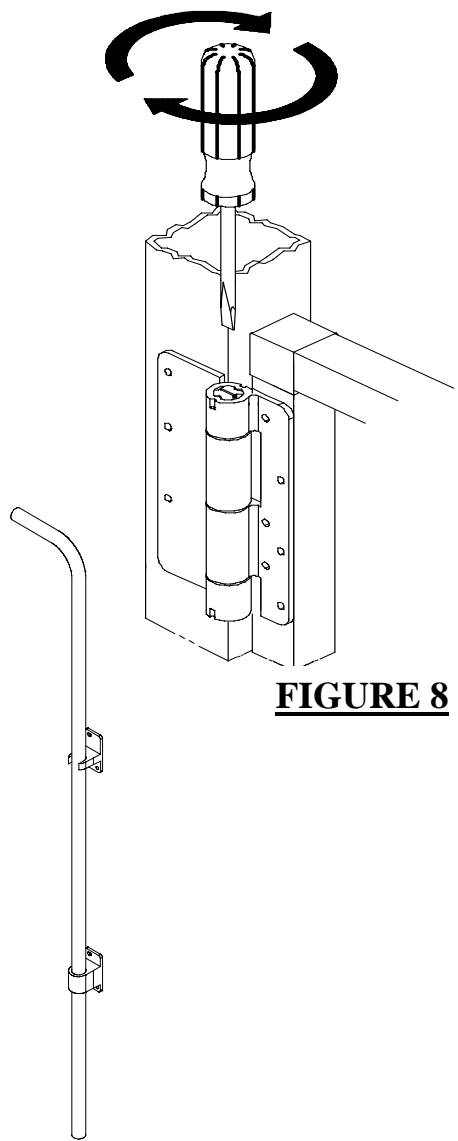


FIGURE 8

6. Regular Maintenance

- 6.1. Check for proper gate operation daily. Lubricate or adjust if necessary.
- 6.2. Keep gate and fence area free of debris and climbable objects.
- 6.3. Check fasteners for tightness and replace any worn or damaged parts.